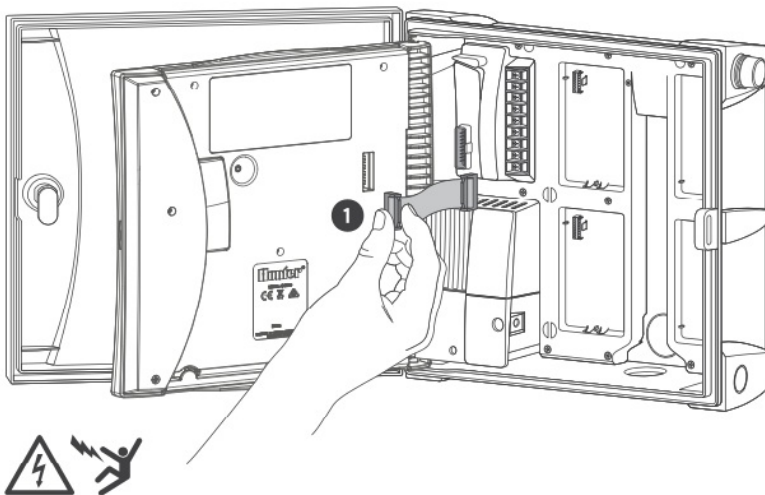


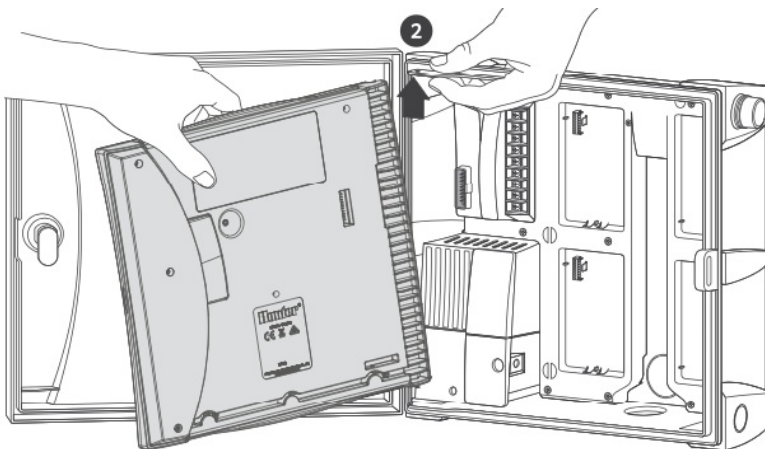
HCC - Can I retrofit the ICC or ICC2 controller to a Hydrawise-ready controller?

Important: Turn AC power off at the source, and verify that it is off.

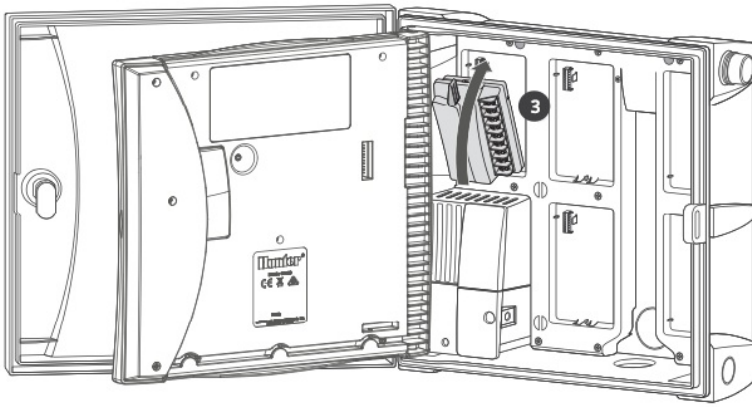
1. Disconnect the facepack ribbon cable.



2. Remove and replace the ICC or ICC2 facepack with the HCC Hydrawise-ready facepack.



3. Remove all wiring from the ICC or ICC2 power module.



4. Remove and replace power module by rotating the locking lever up, then insert the new power module and rotate the locking lever down.

5. Reinstall power module wires.

6. Reconnect ribbon cable to facepack and power module.

